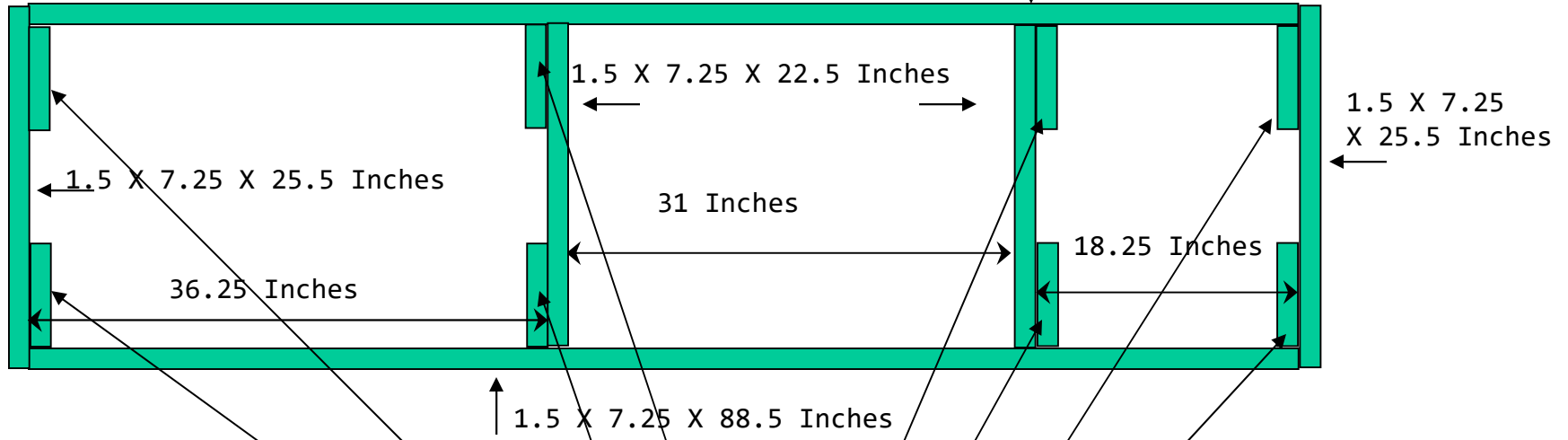


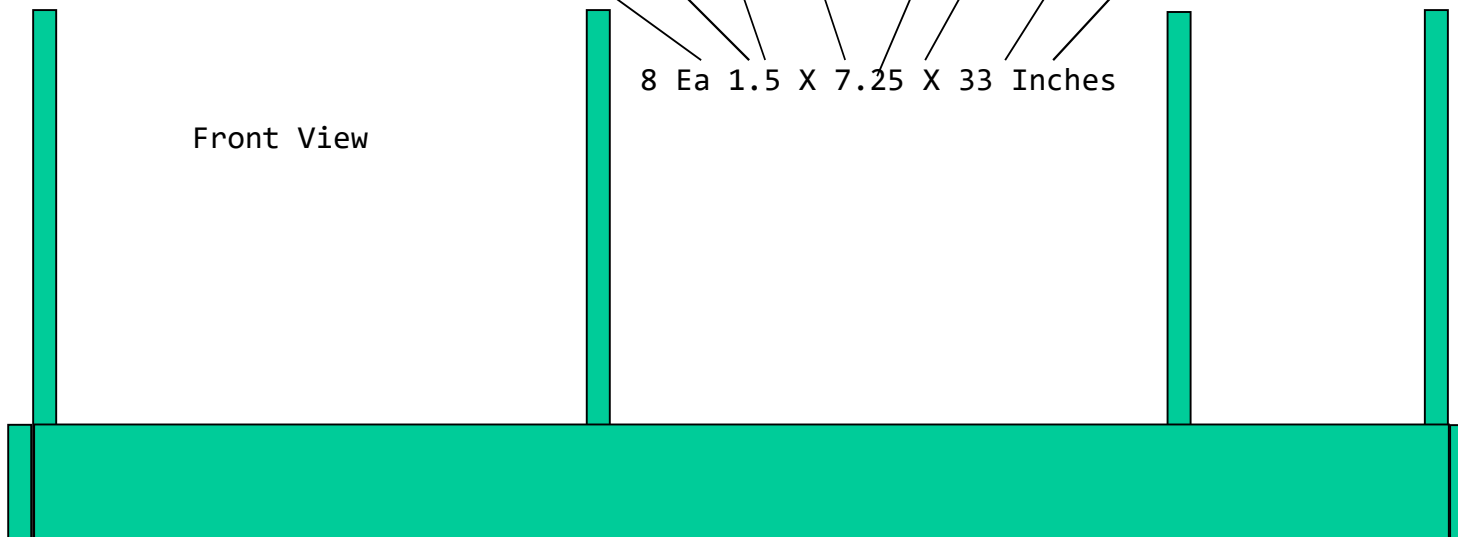
12" = 1" on all pages

Top View of Bottom Frame 1.5 X 7.25 X 88.5 Inches

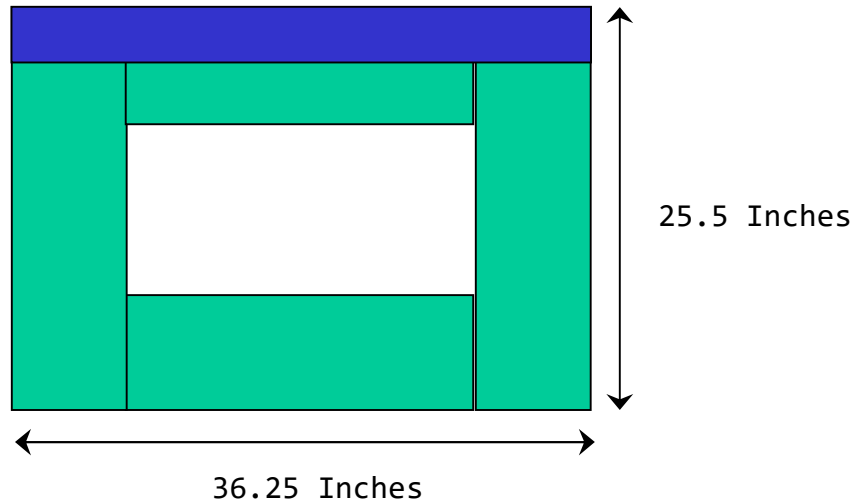


- Boards
- 2 Ea 88.5 X 1.5 X 7.25 Inches
  - 2 Ea 22.5 X 1.5 X 7.25 Inches
  - 2 Ea 25.5 X 1.5 X 7.25 Inches
  - 8 Ea 33 X 1.5 X 7.25 Inches

Front View



Left Side Of Potting Bench

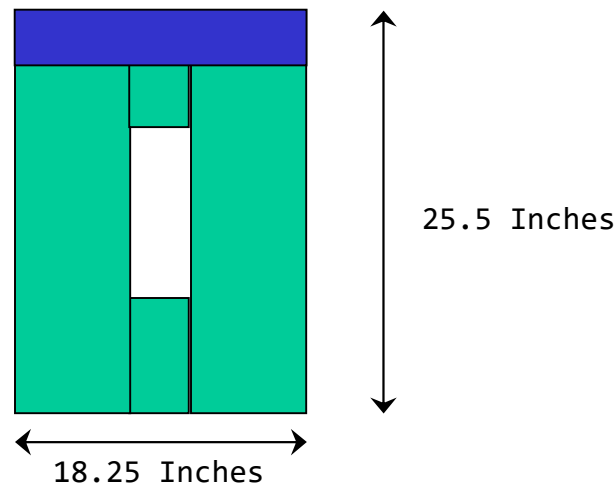


Boards

- 1 Ea 36.25 X 1.5 X 3.5 Inches
- 2 Ea 25.5 X 1.5 X 7.25 Inches
- 2 Ea 21.75 X 1.5 X 7.25 Inches

This project assumes 2  
Ea. 18 Inch pavers  
(A 3.5 X 1.5 board will  
be added to the front  
later)

Right Side Of Potting Bench



Boards

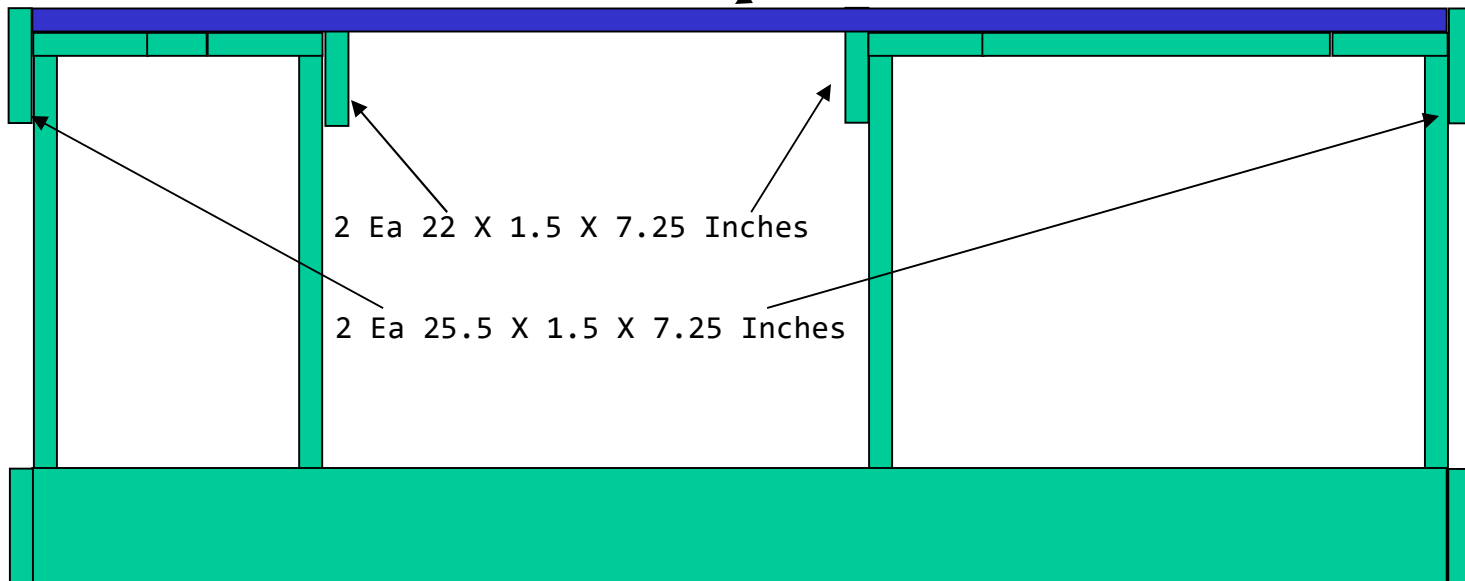
- 1 Ea 18.25 X 1.5 X 3.5 Inches
- 2 Ea 25.5 X 1.5 X 7.25 Inches
- 2 Ea 3.75 X 1.5 X 7.25 Inches

This project assumes 1  
Ea. 18 Inch pavers  
(A 3.5 X 1.5 board will  
be added to the front  
later)

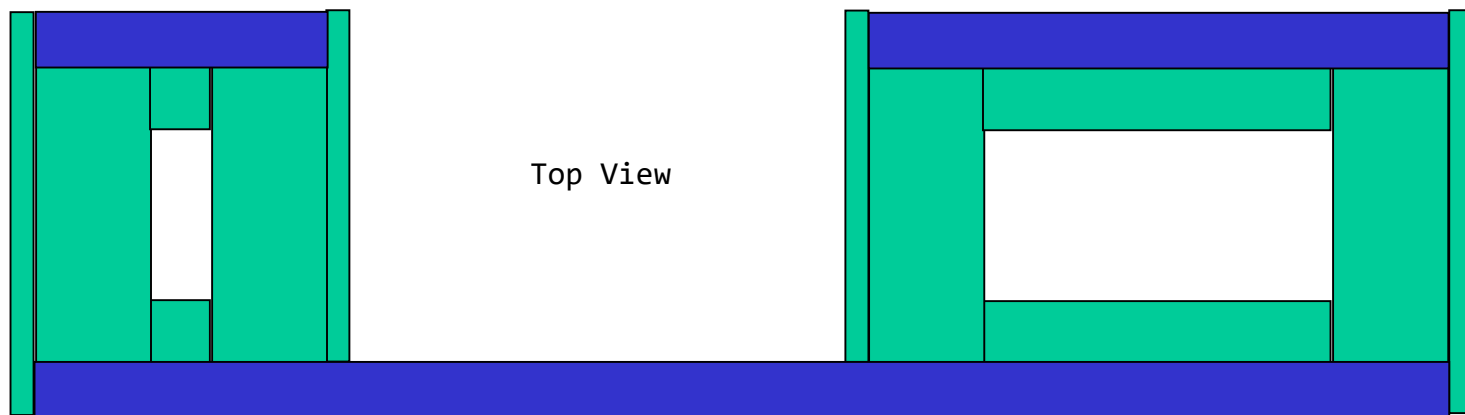
**Do One Of The Next Two Slides Depending On Whether You Want  
The Larger Counter Space On The Right Or On The Left**

Front View with larger area on Right side

1 Ea 88.5 X 1.5 X 3.5 Inches

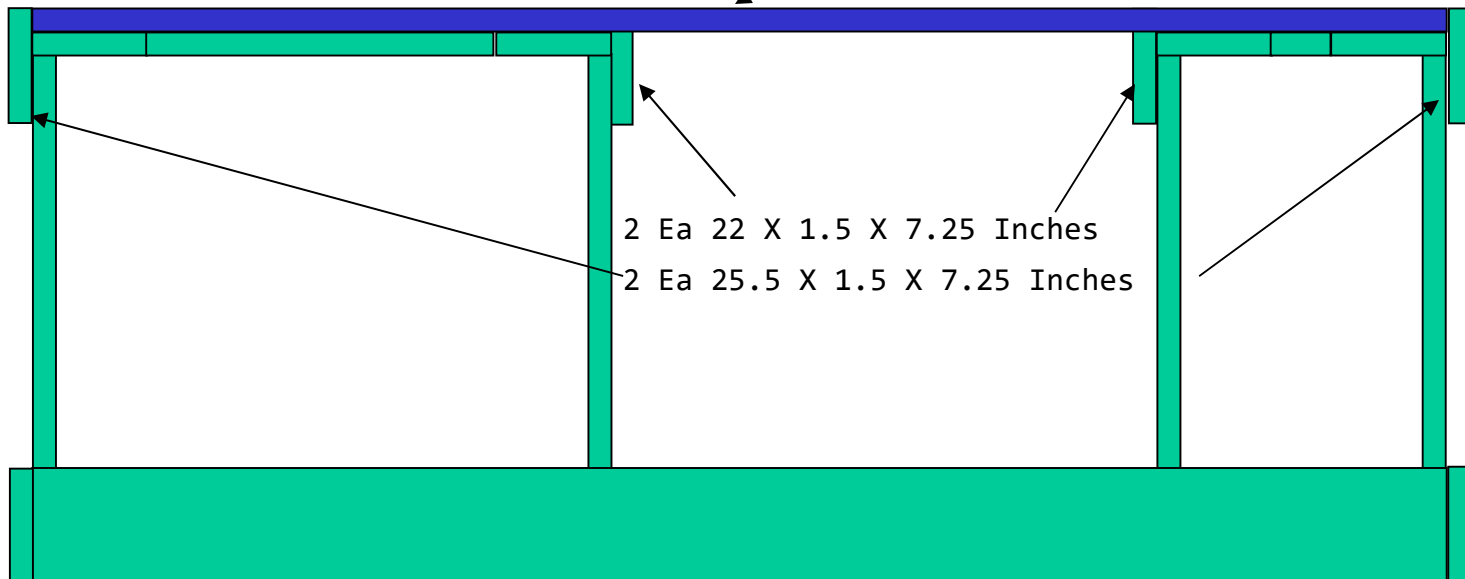


Top View

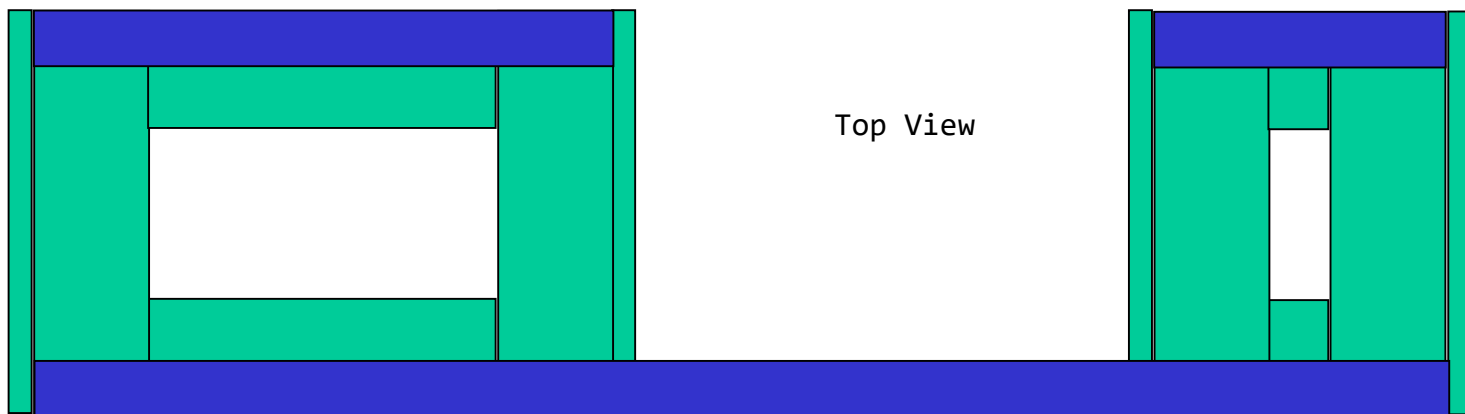


Front View with larger area on left side

1 Ea 88.5 X 1.5 X 3.5 Inches

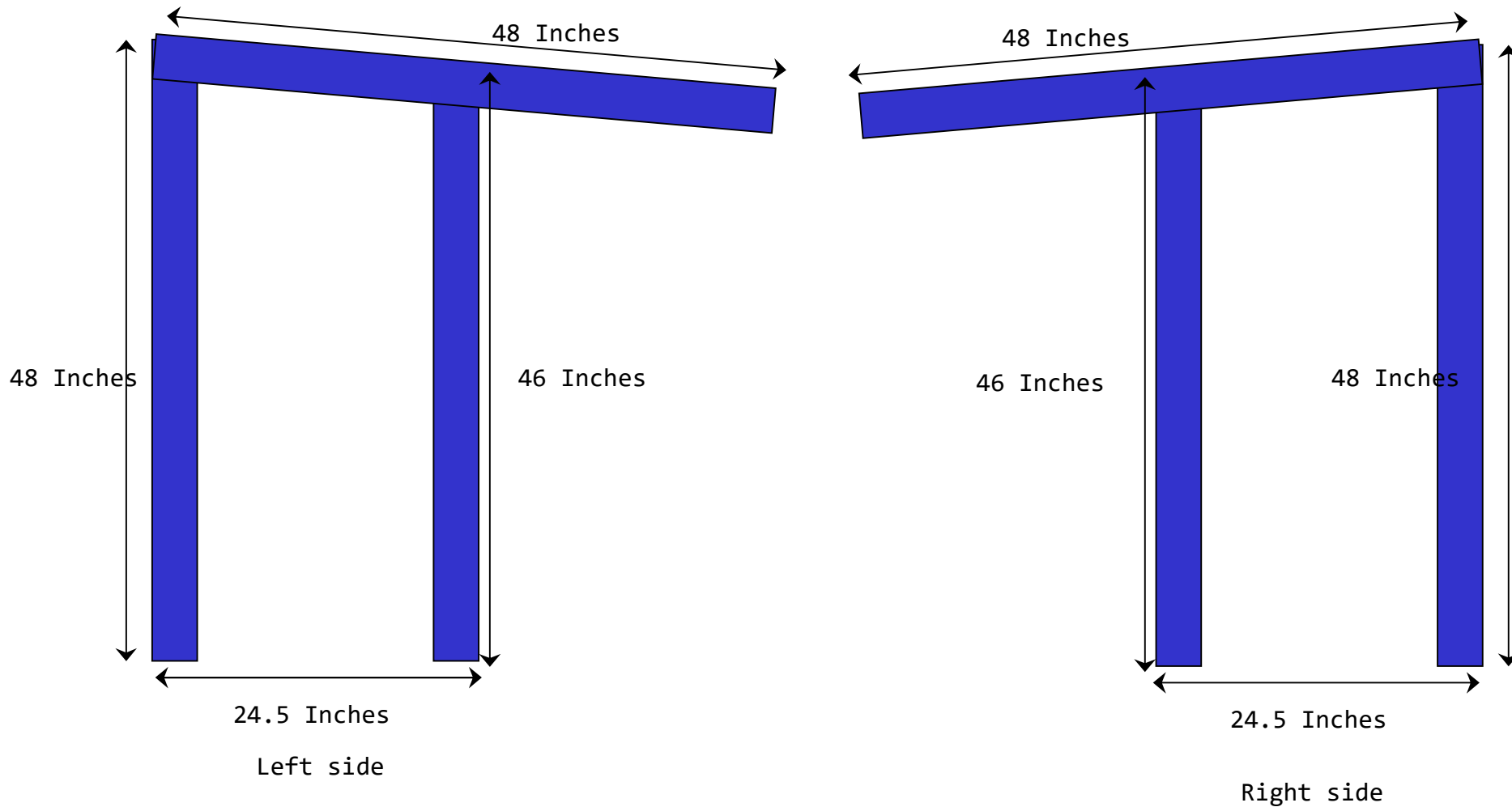


Top View



Side View

(5 Degrees Pitch, 4" drop from back to front))



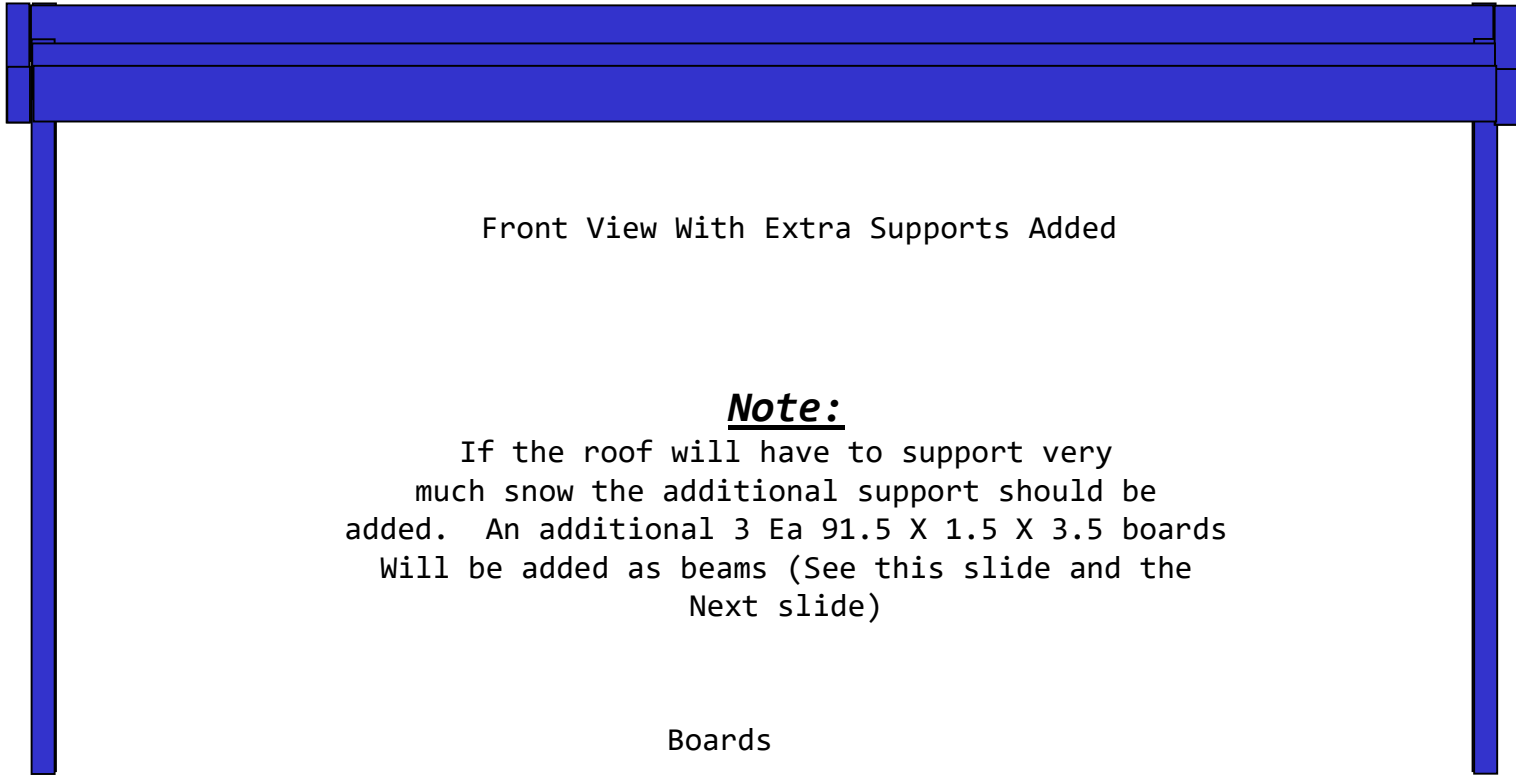
Left side

Right side

Boards

4 Ea 48 X 1.5 X 3.5 Inches

2 Ea 46 X 1.5 X 3.5 Inches



Front View With Extra Supports Added

**Note:**

If the roof will have to support very much snow the additional support should be added. An additional 3 Ea 91.5 X 1.5 X 3.5 boards Will be added as beams (See this slide and the Next slide)

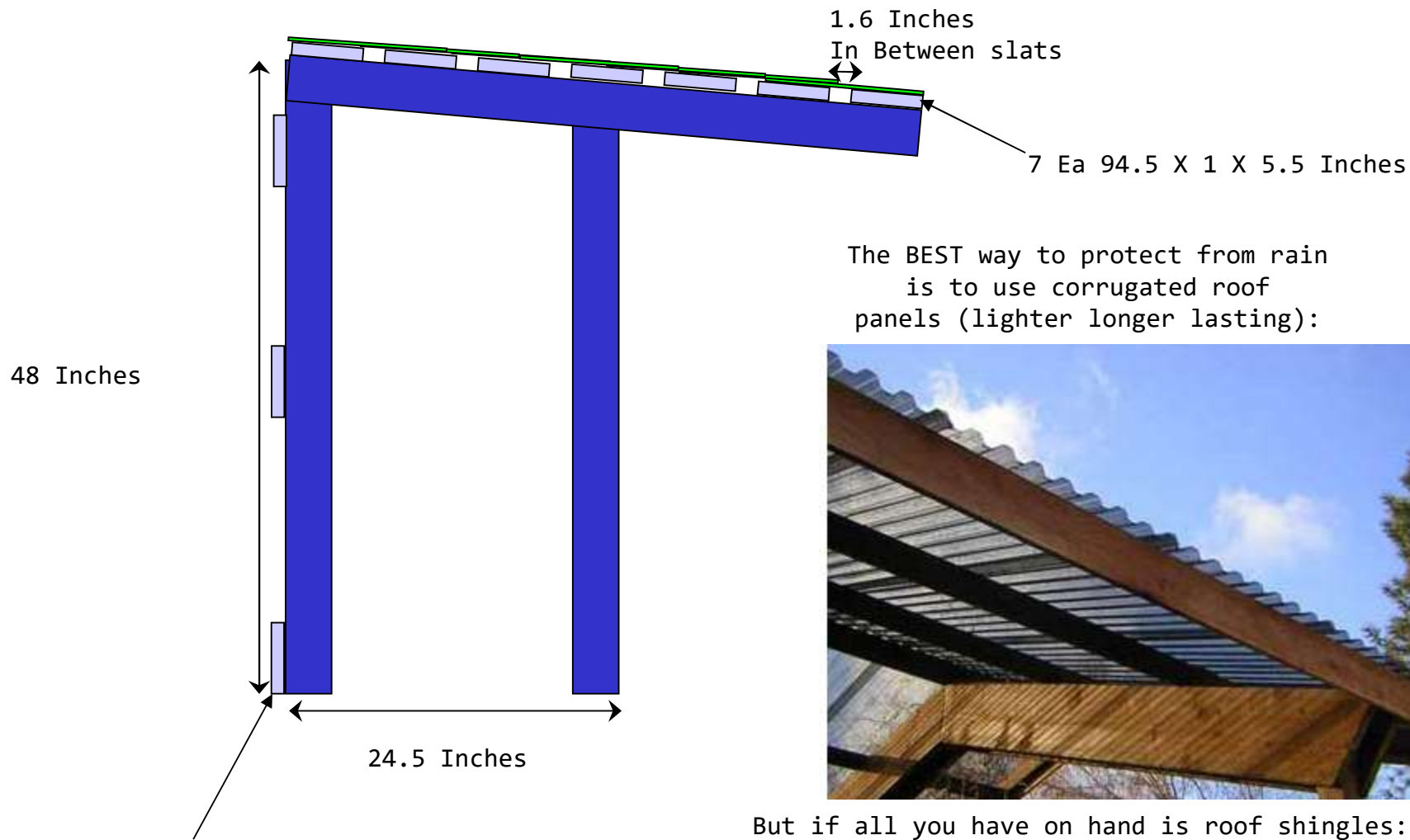
Boards

3 Ea 91.5 X 1.5 X 3.5 Inches

Top View



Side View  
(5 Degrees Pitch, 4" drop from back to front))



The BEST way to protect from rain is to use corrugated roof panels (lighter longer lasting):



But if all you have on hand is roof shingles:  
Roof Shingles are 12" X 36" Inches  
24 Ea. = 8 deep X 3 wide  
Shingle tar paper makes the roof heavier but help keep it from leaking.



Front View

