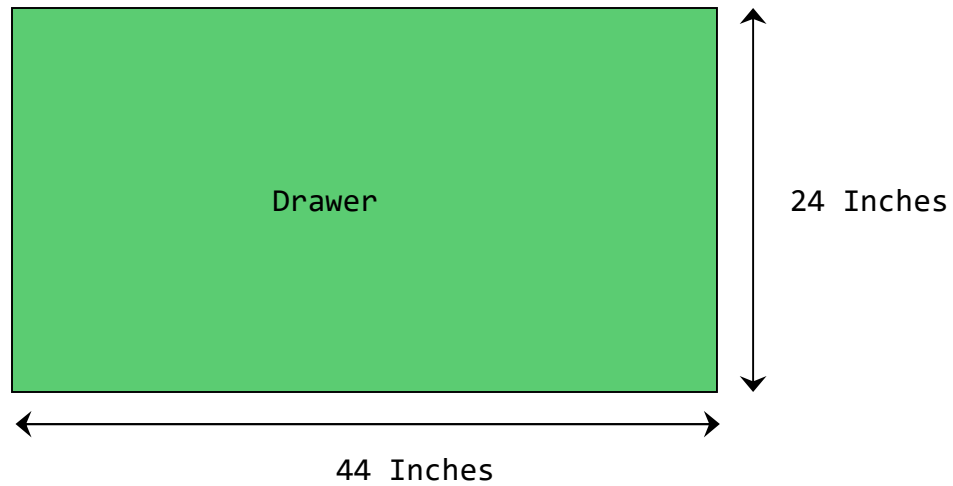
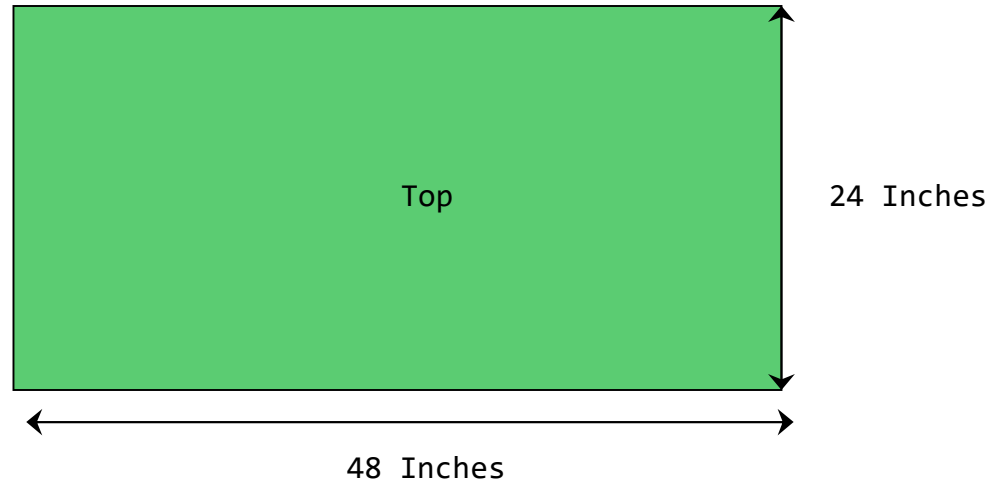


12" = 1" on all pages

Plywood thickness is:
CDX 1/2 (15/32) = 0.469
or
CDX 3/4 (23/32) = 0.719

1/2" or 3/4" Fir plywood
(I used 1/2" Fir plywood)



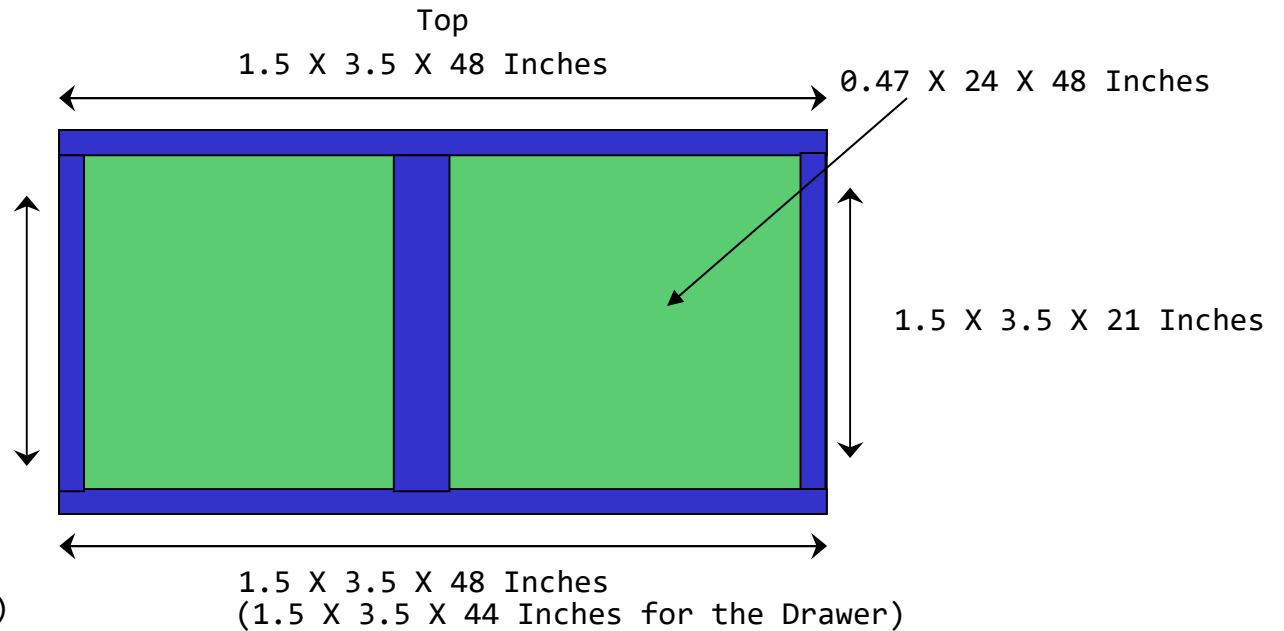
12" = 1" on all pages

Plywood thickness is:
CDX 1/2 (15/32) = 0.469
or
CDX 3/4 (23/32) = 0.719

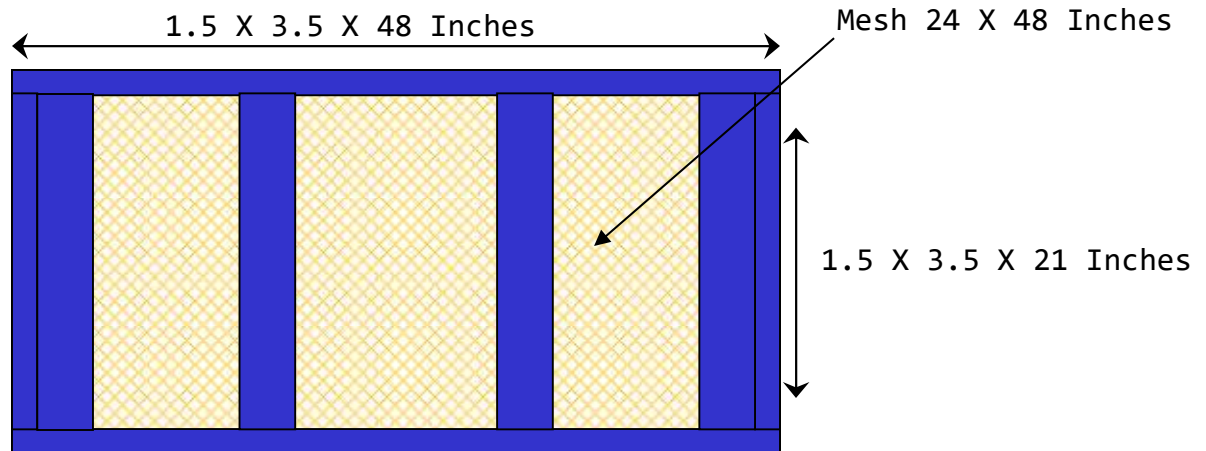
1.5 X 3.5 X 21 Inches

- 2 Ea. 1.5 X 3.5 X 44 Inches
- 4 Ea. 1.5 X 3.5 X 48 Inches
- 12 Ea. 1.5 X 3.5 X 21 Inches
(3 Ea. for the top
6 Ea. for the "Mesh Screen"
3 Ea. for the bottom drawer)

- 1 Ea. 1/2" X 24 X 48 Inches CDX or BC Plywood, Fir, exterior grade good one side

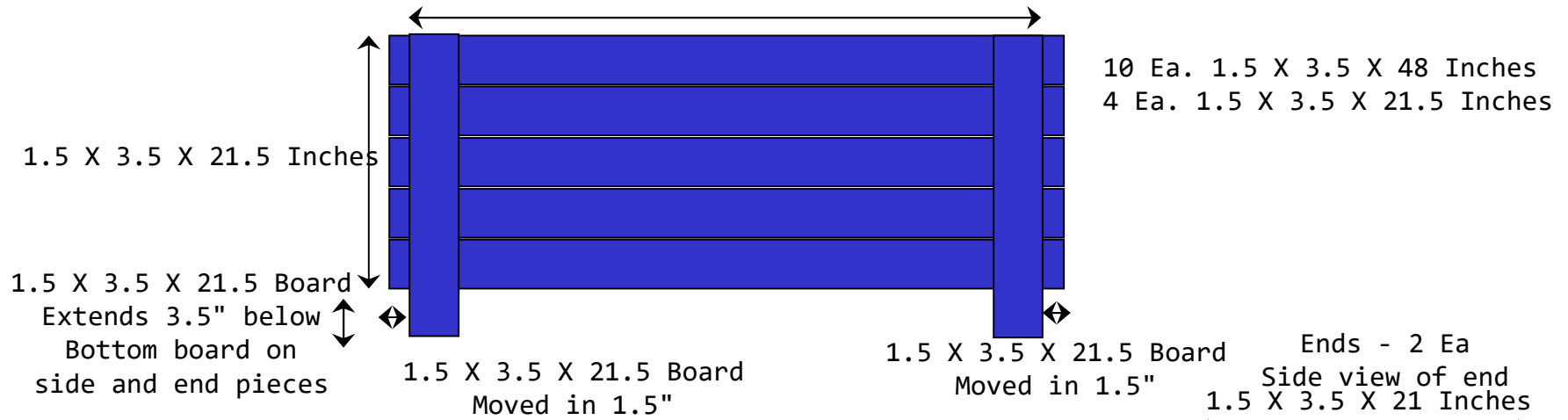


Mesh screen for the bottom
To allow castings to fall
Through into the drawer.
This mesh is put in on top
Of this structure when
EVERYTHING is assembled
Using 1" screws and fender
Washers to attach the mesh
To the walls of the box



Sides - 2 Ea

1.5 X 3.5 X 48 Inches

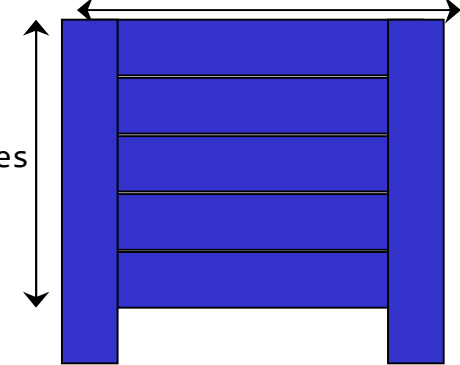


Ends - 2 Ea

Side view of end

1.5 X 3.5 X 21 Inches

1.5 X 3.5 X 21.5 Inches



10 Ea. 1.5 X 3.5 X 21 Inches

4 Ea. 1.5 X 3.5 X 21.5 Inches

Head On View

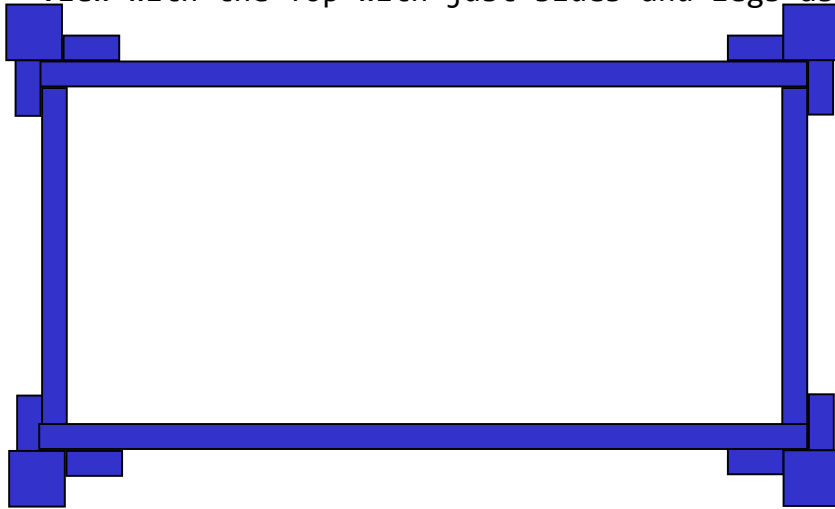


Top view of end

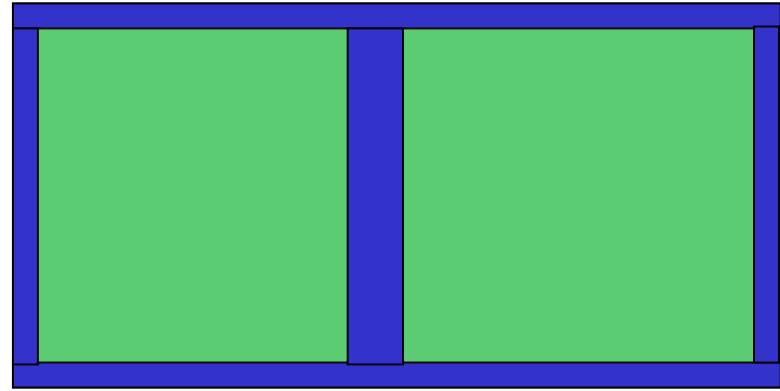


1.5 X 3.5 X 18 Board
Moved out 1.5"

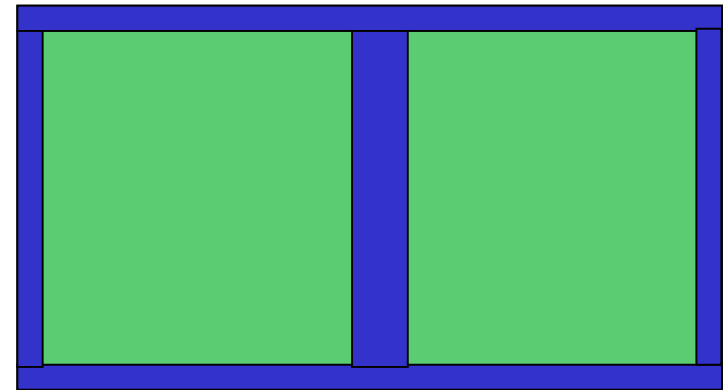
View with the Top with just sides and legs assembled



Top

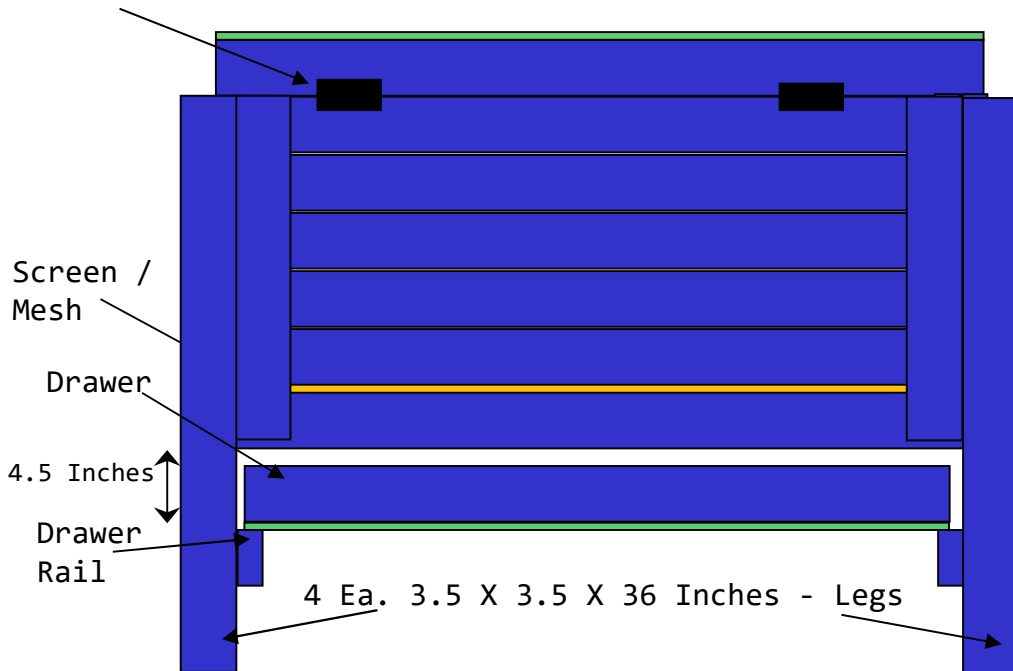


Drawer



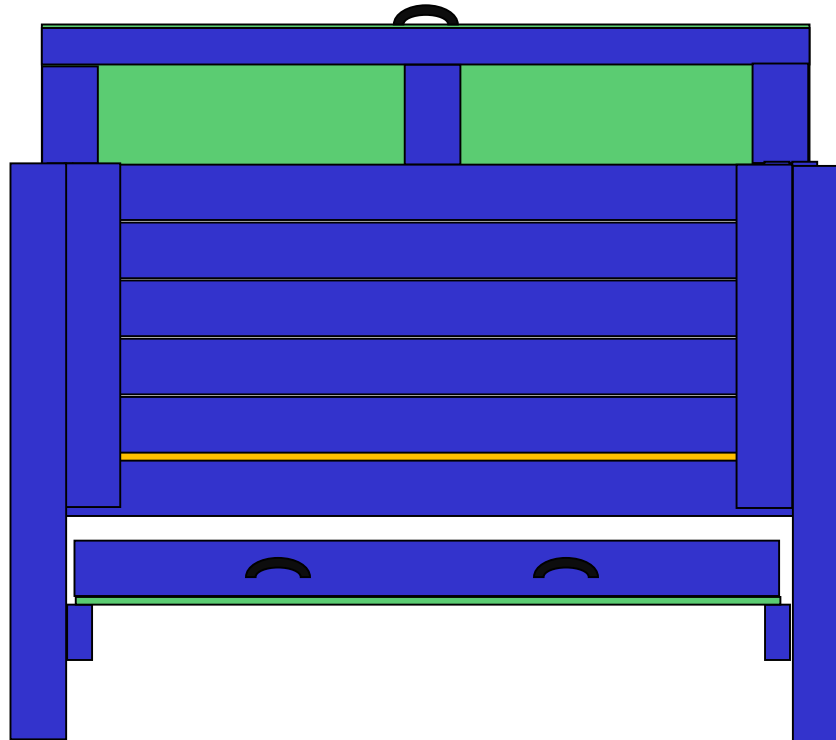
2 Ea. 4" Hinges

View From Back



For the Drawer
Plywood drawer bottom
2 Ea. 1.5 X 3.5 X 44 Inches
3 Ea. 1.5 X 3.5 X 21 Inches
2 Ea. 1.5 X 3.5 X 31 Inches (Rail)
Teflon tape on the bottom plywood
where the rails meet to allow
you to open / close drawer

View From Front, lid slightly open



3 Ea. handles, 2 to open drawer and one to open lid

The lid will open and rest on the back 2 legs, no
Chains needed to hold it